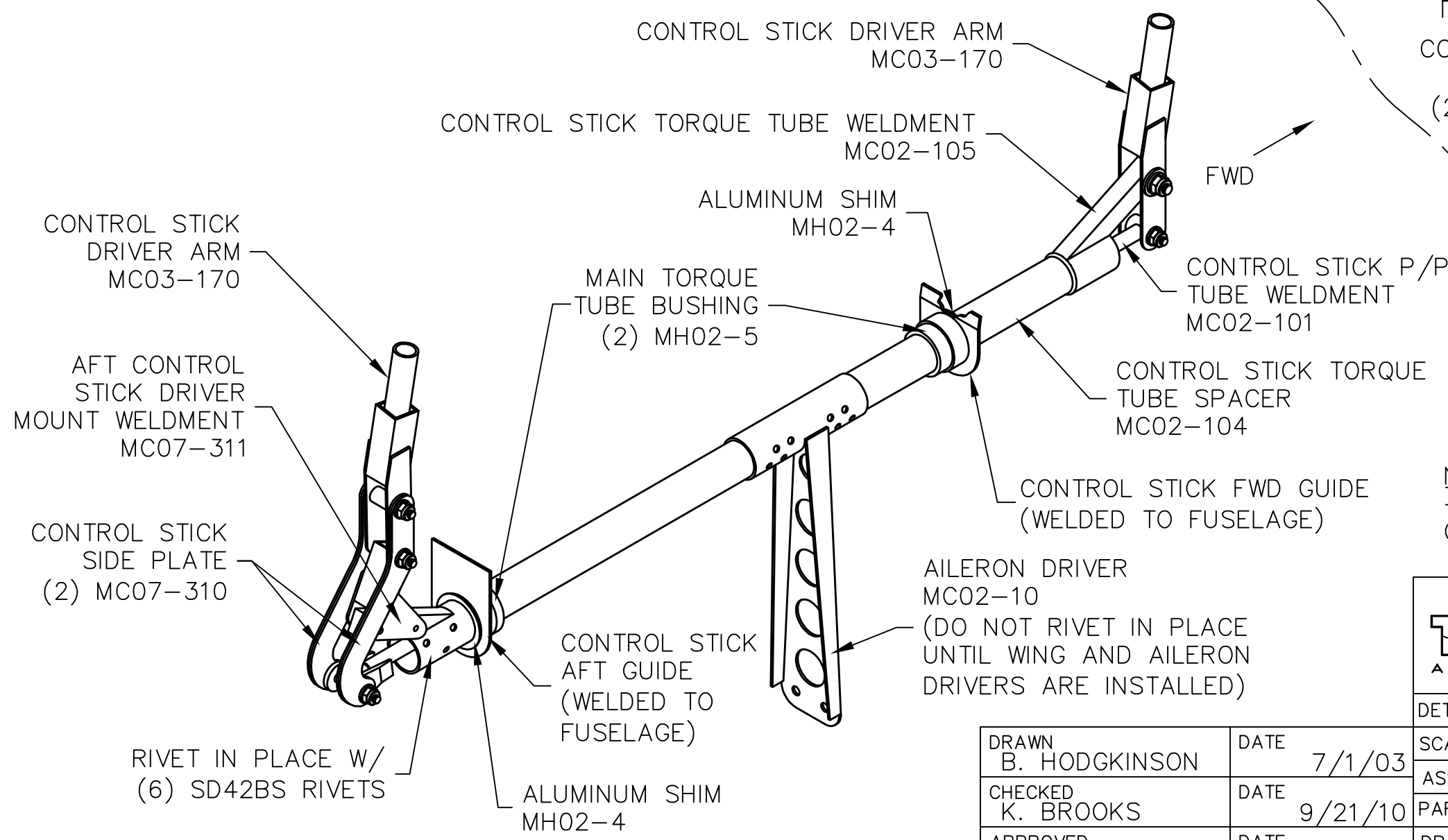
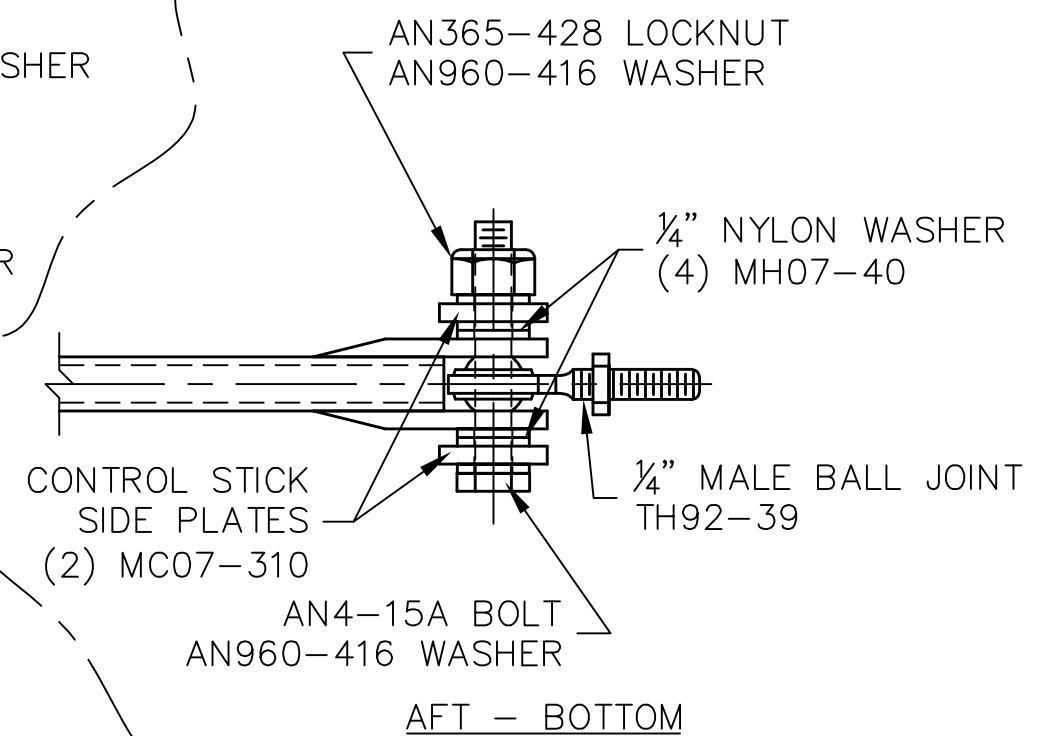
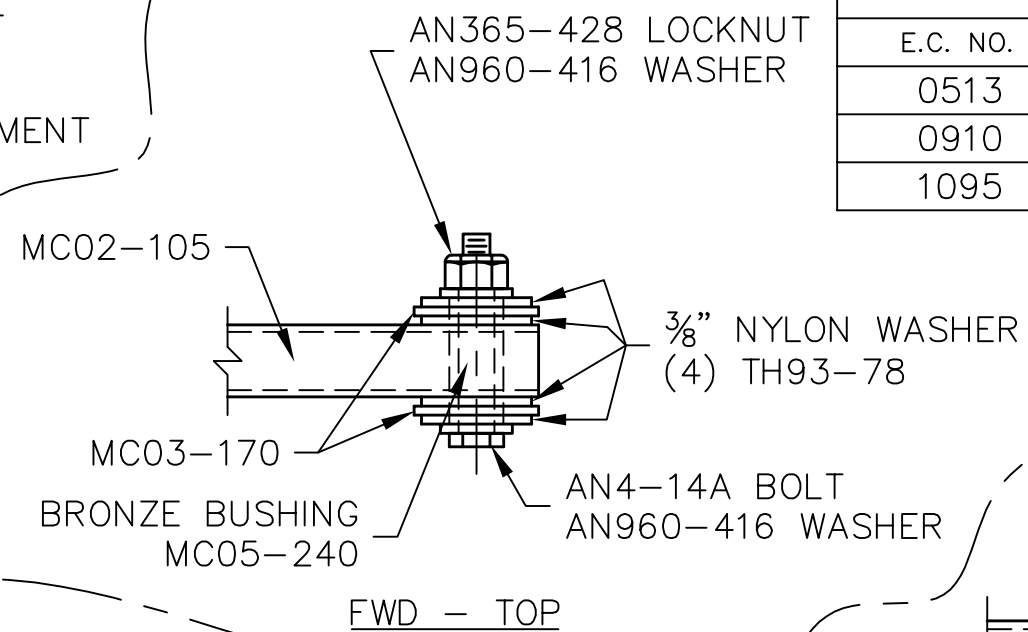
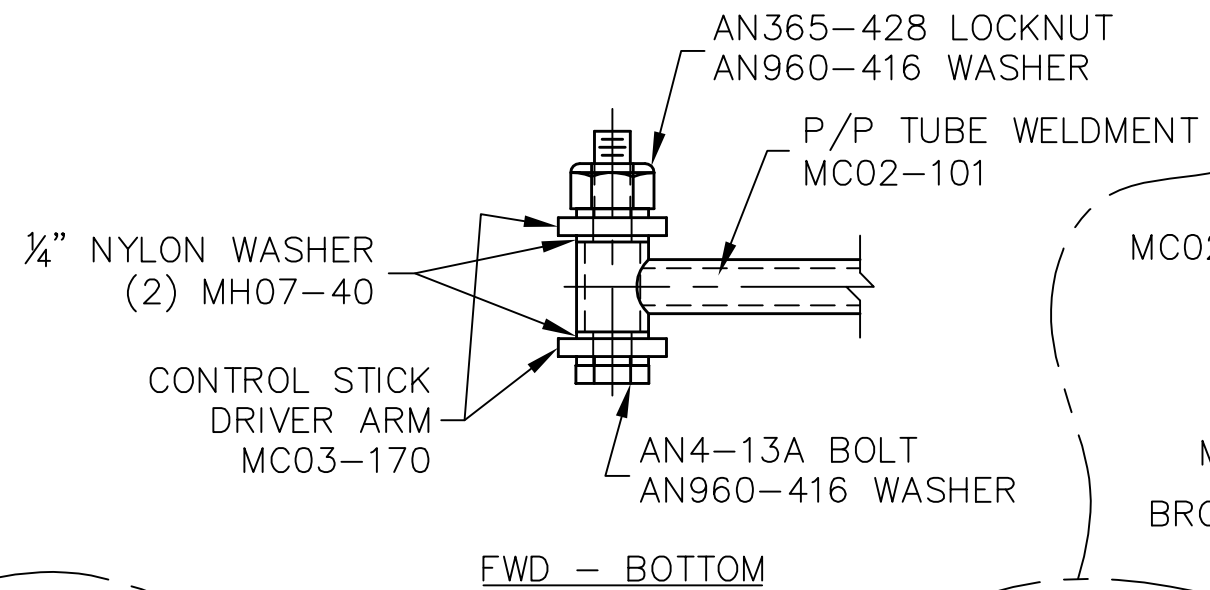


REVISIONS

E.C. NO.	REV.	DESCRIPTION	BY	DATE
0513	C	DRAWING REVISED	SH	8/07
0910	D	NOTES ADDED	SH	8/07
1095	E	ROTATED MC03-170 & MC02-10	BH	9/10



NOTES:  
 - REFER TO DRAWING T51-05-AS-1191 FOR AFT CONTROL STICK ASSEMBLY DETAILS.

**TITAN AIRCRAFT SUPPLY**  
 1419 STATE ROUTE 45 SOUTH  
 AUSTINBURG, OHIO 44010

DETAIL NAME		CONTROL STICK ASSEMBLY	
SCALE 1/4"=1"	PART NO. MC03-159		
ASSEMBLY NAME			
PART NO.		DRAWING NO. C1	
DRAWING NO. <i>B T51-03-INS-0810-E</i>			

DRAWN B. HODGKINSON	DATE 7/1/03
CHECKED K. BROOKS	DATE 9/21/10
APPROVED B. KOLENO	DATE 9/22/10

THIS DOCUMENT PROPRIETARY TO TITAN AIRCRAFT, AND IS NOT TO BE USED, CIRCULATED, REPRODUCED, COPIED, OR DISCLOSED IN ANY MANNER WITHOUT PRIOR WRITTEN PERMISSION OF AN AUTHORIZED OFFICIAL OF TITAN AIRCRAFT.