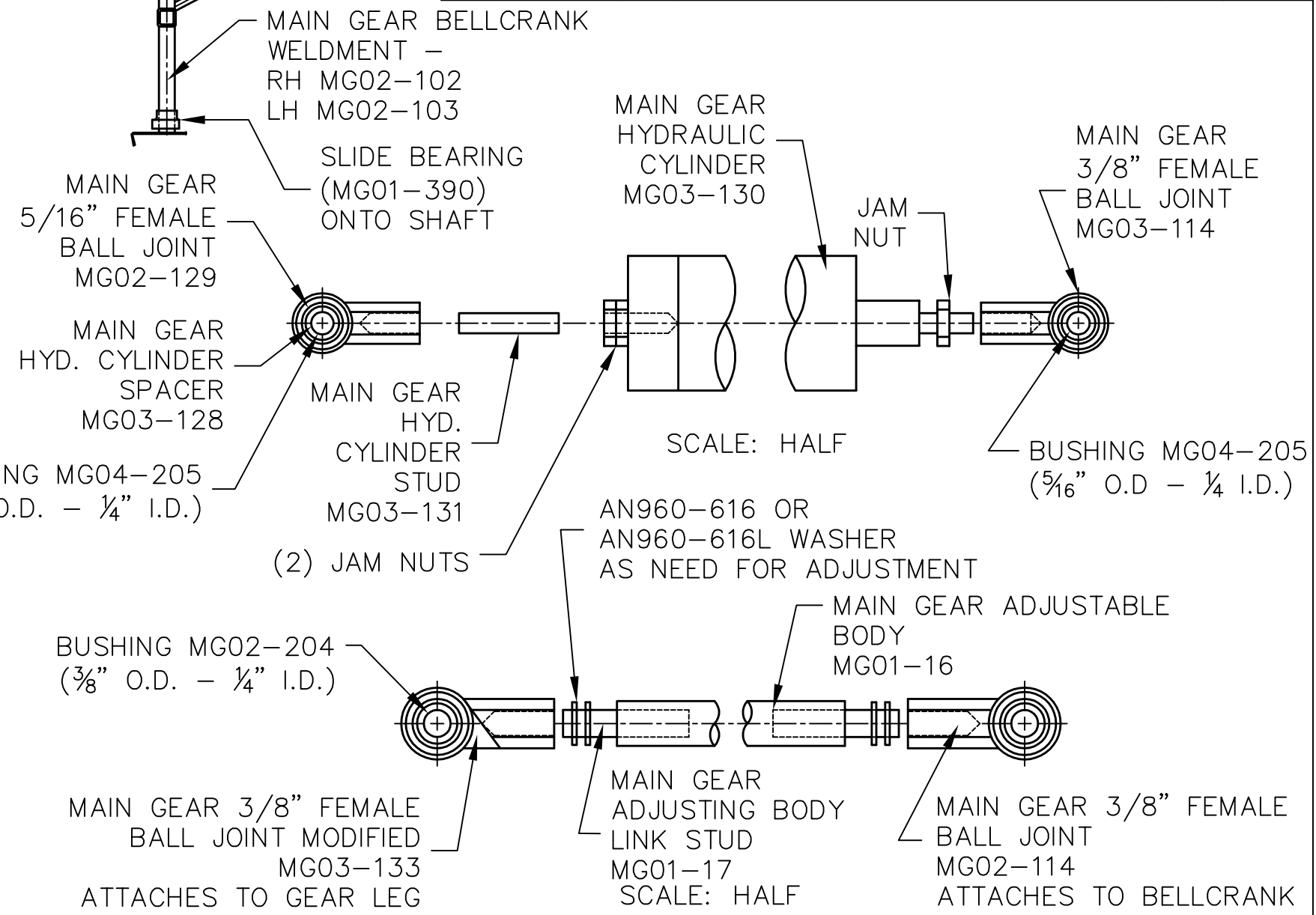
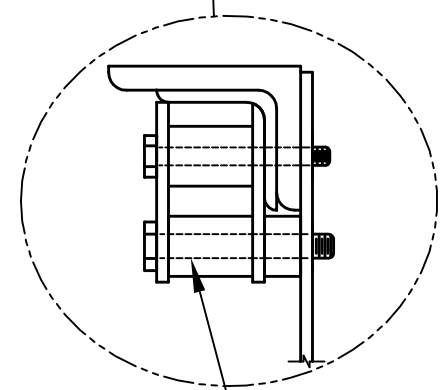
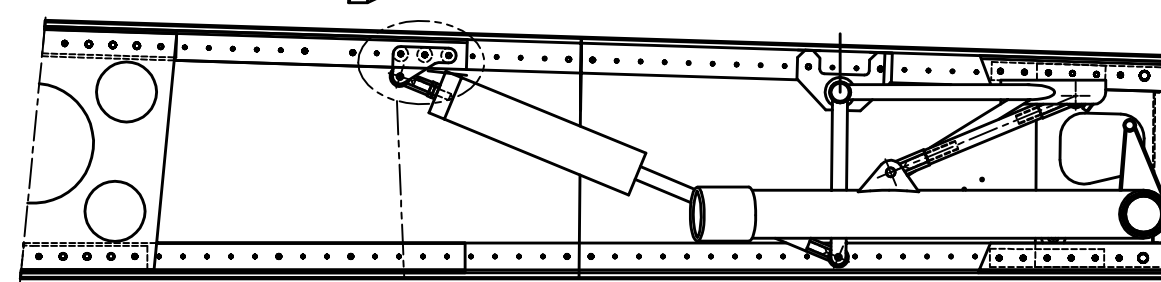
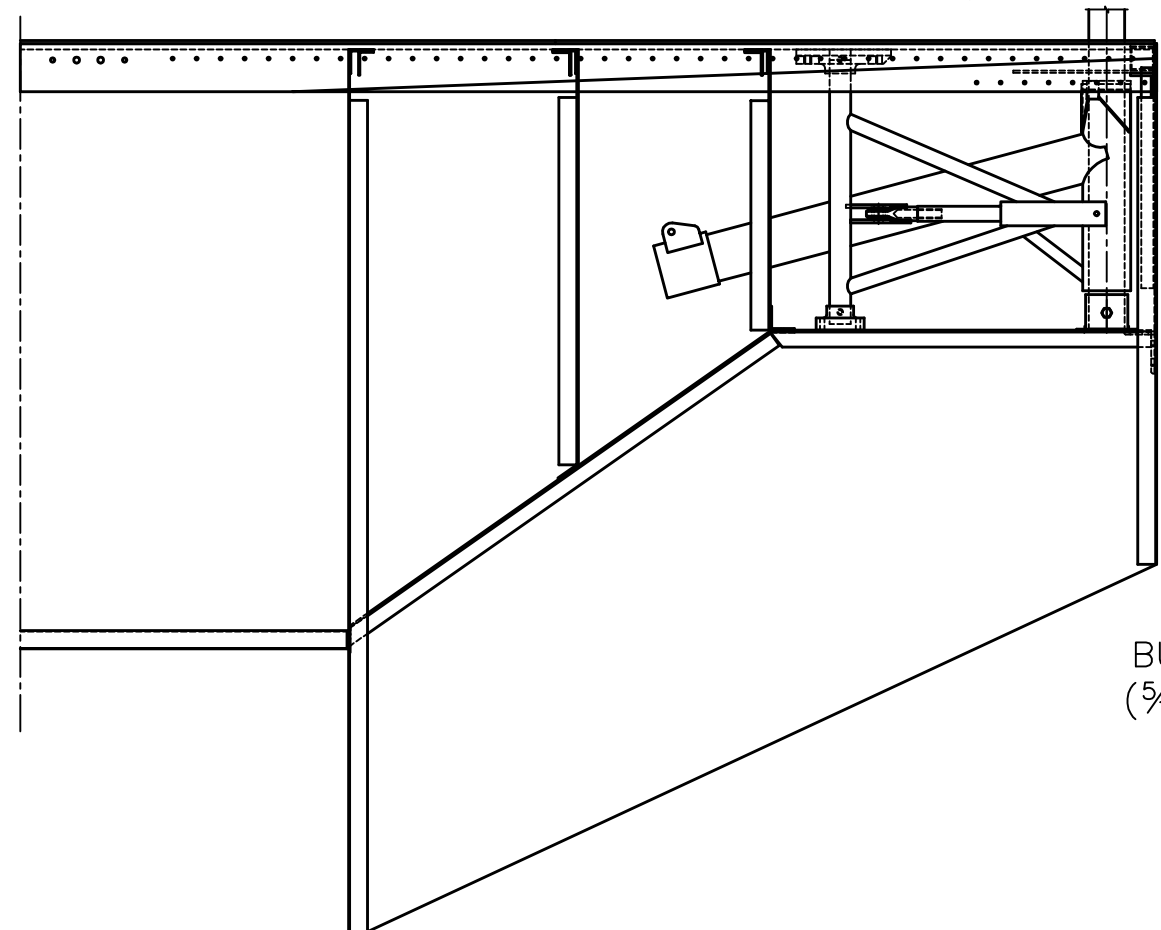


INSERT PLASTIC SPACER,
THEN SLIDE BEARING BACK
AGAINST SPAR
SLIDE BEARING (RH MG01-40 & LH
MG01-41) FWD. ON SHAFT

REVISIONS				
E.C. NO.	REV.	DESCRIPTION	BY	DATE
	A	DRAWING RELEASED	KL	1/03



THIS DOCUMENT PROPRIETARY TO TITAN AIRCRAFT, AND IS NOT TO BE USED, CIRCULATED, REPRODUCED, COPIED, OR DISCLOSED IN ANY MANNER WITHOUT PRIOR WRITTEN PERMISSION OF AN AUTHORIZED OFFICIAL OF TITAN AIRCRAFT.

TITAN AIRCRAFT SUPPLY
1419 STATE ROUTE 45 SOUTH
AUSTINBURG, OHIO 44010

DRAWN K. LIPLIN		DATE 1-22-2003		DETAIL NAME MAIN GEAR LINKAGE INSTALLATION	
CHECKED GAT		DATE 8/12/04		SCALE 1/8" = 1" PART NO.	
APPROVED JW		DATE 8/30/04		ASSEMBLY NAME	
				DRAWING NO.	
				DRAWING NO. B T51-03-INS-0590-A	