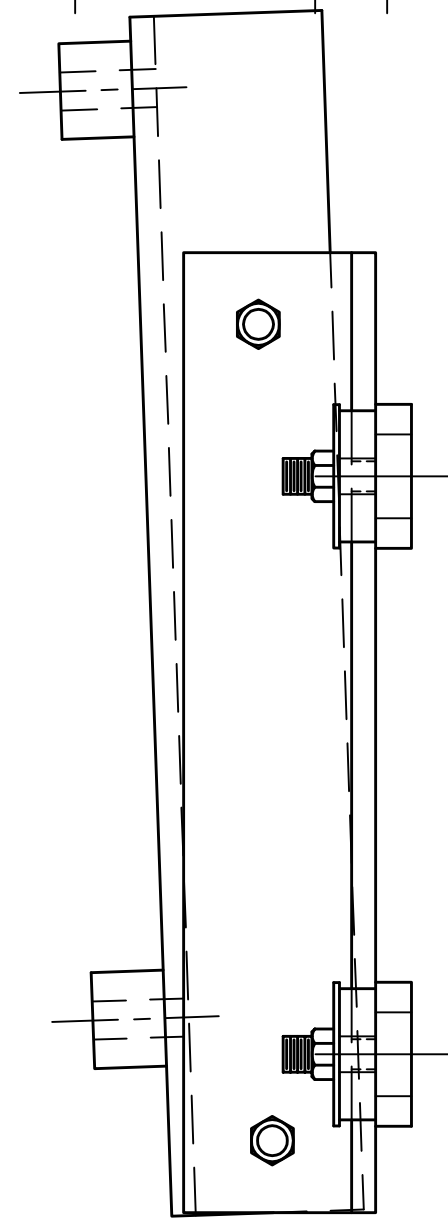
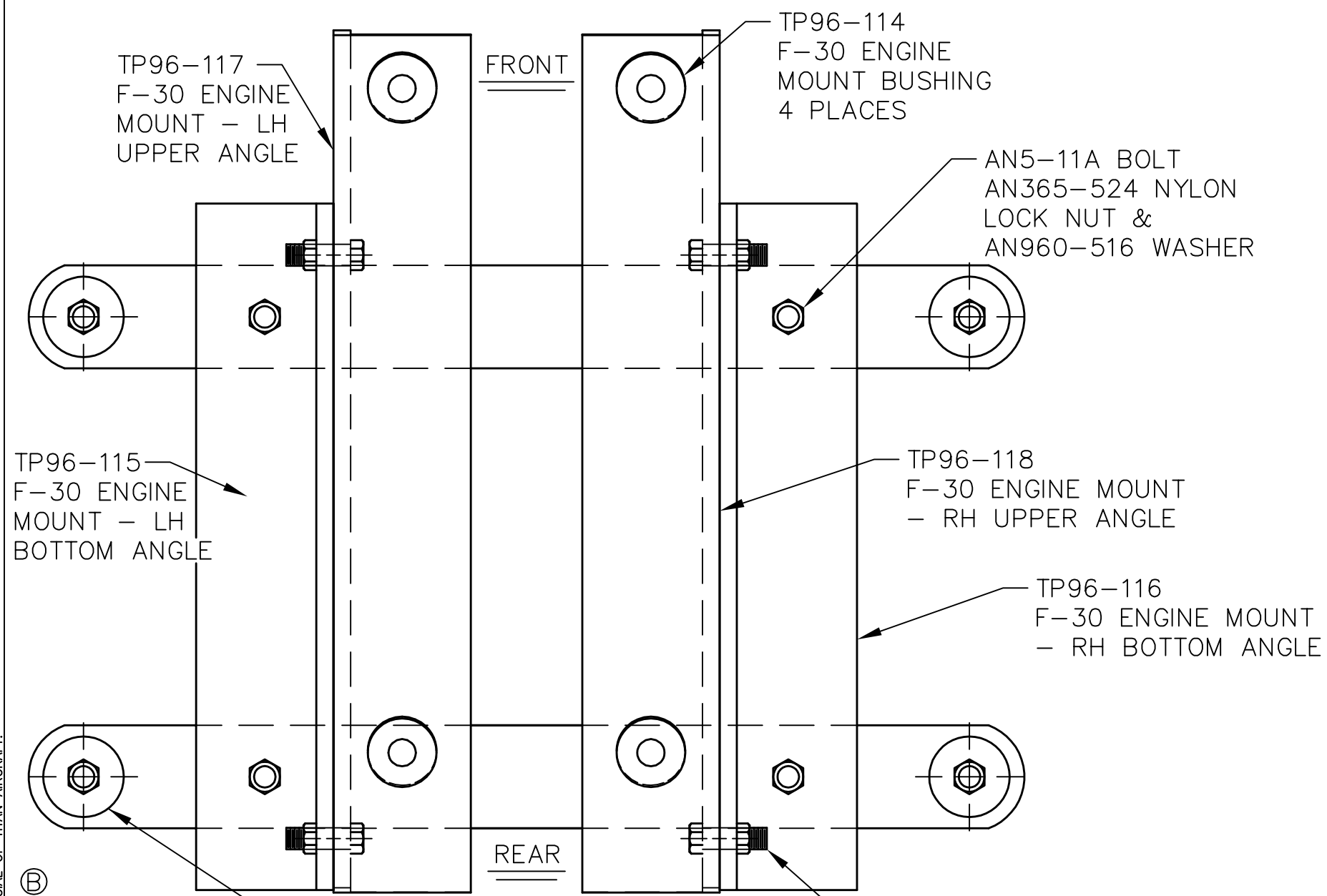


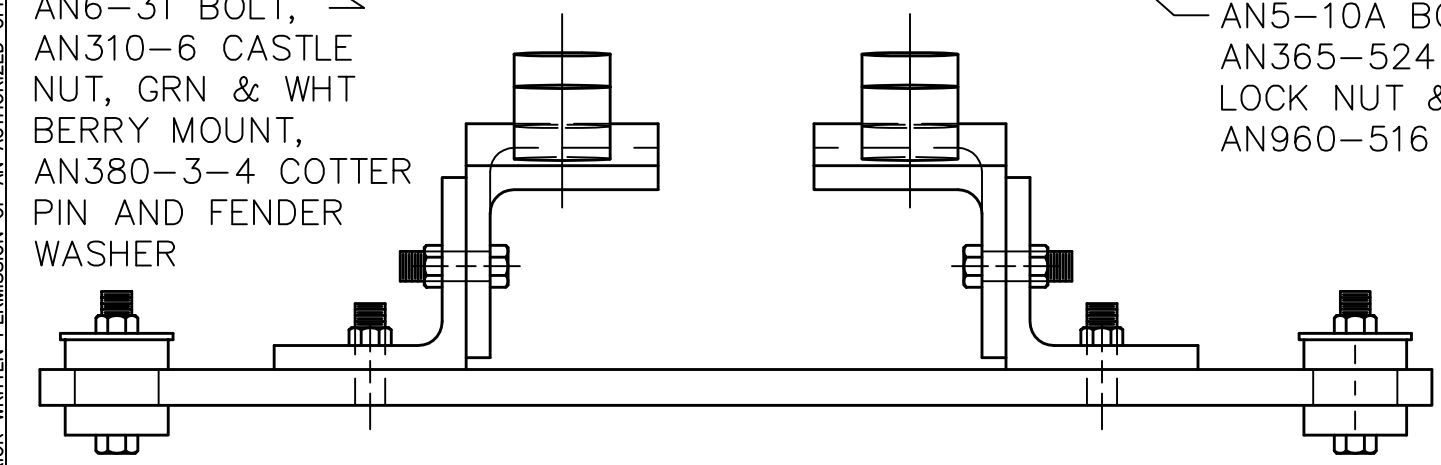
REVISIONS

E.C. NO.	REV.	DESCRIPTION	BY	DATE
	A	DRAWING RELEASED	K.B.	12/96
2101	B	MOTOR MOUNT BOLT WAS AN6-27	KL	12/02



Ⓟ AN6-31 BOLT,
AN310-6 CASTLE NUT, GRN & WHT BERRY MOUNT, AN380-3-4 COTTER PIN AND FENDER WASHER

AN5-10A BOLT
AN365-524 NYLON LOCK NUT &
AN960-516 WASHER



TITAN AIRCRAFT SUPPLY
1419 STATE ROUTE 45 SOUTH
AUSTINBURG, OHIO 44010

DETAIL NAME	F-30 ENGINE MOUNT INSTALLATION		
SCALE	N/A	PART NO.	
ASSEMBLY NAME	TWO PLACE TORNADO		
PART NO.	DRAWING NO.		
DRAWING NO.	B 96-INS-0796-B		

DRAWN	K. BOHRER	DATE	12/31/96
CHECKED		DATE	
APPROVED		DATE	

THIS DOCUMENT PROPRIETARY TO TITAN AIRCRAFT, AND IS NOT TO BE USED, CIRCULATED, REPRODUCED, COPIED, OR DISCLOSED IN ANY MANNER WITHOUT PRIOR WRITTEN PERMISSION OF AN AUTHORIZED OFFICIAL OF TITAN AIRCRAFT.