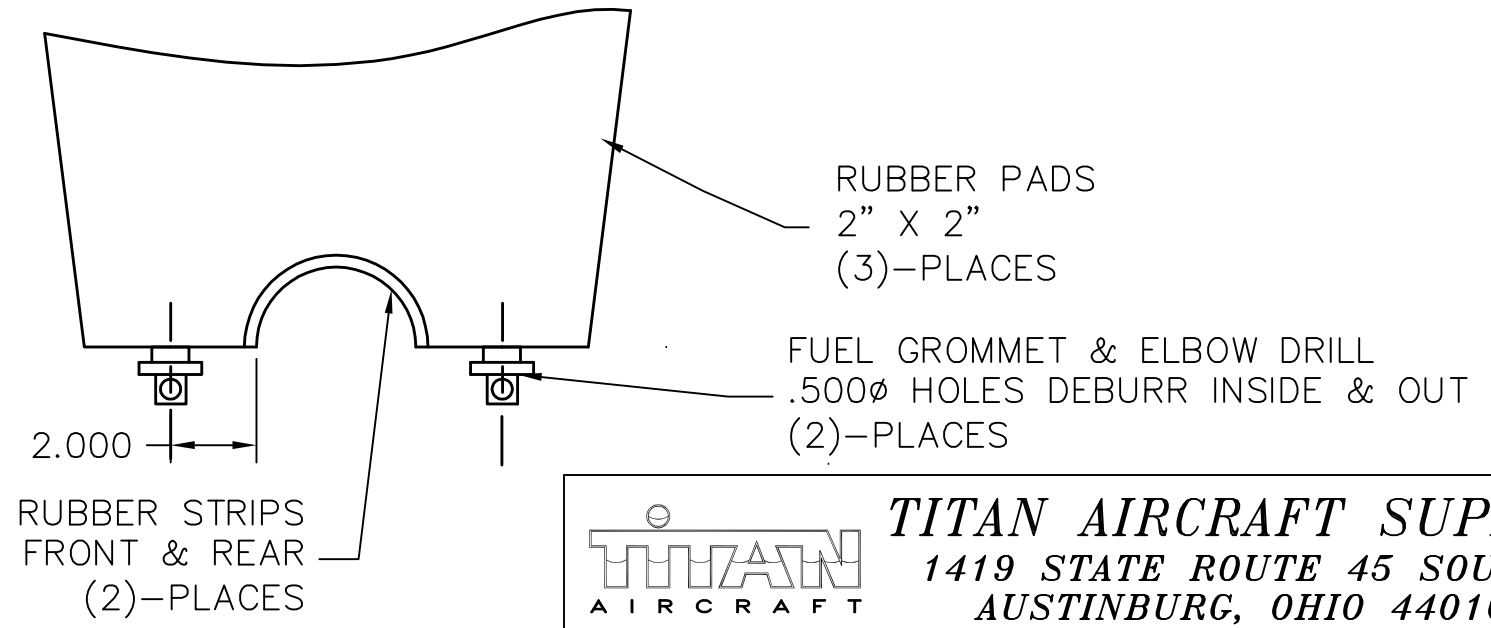
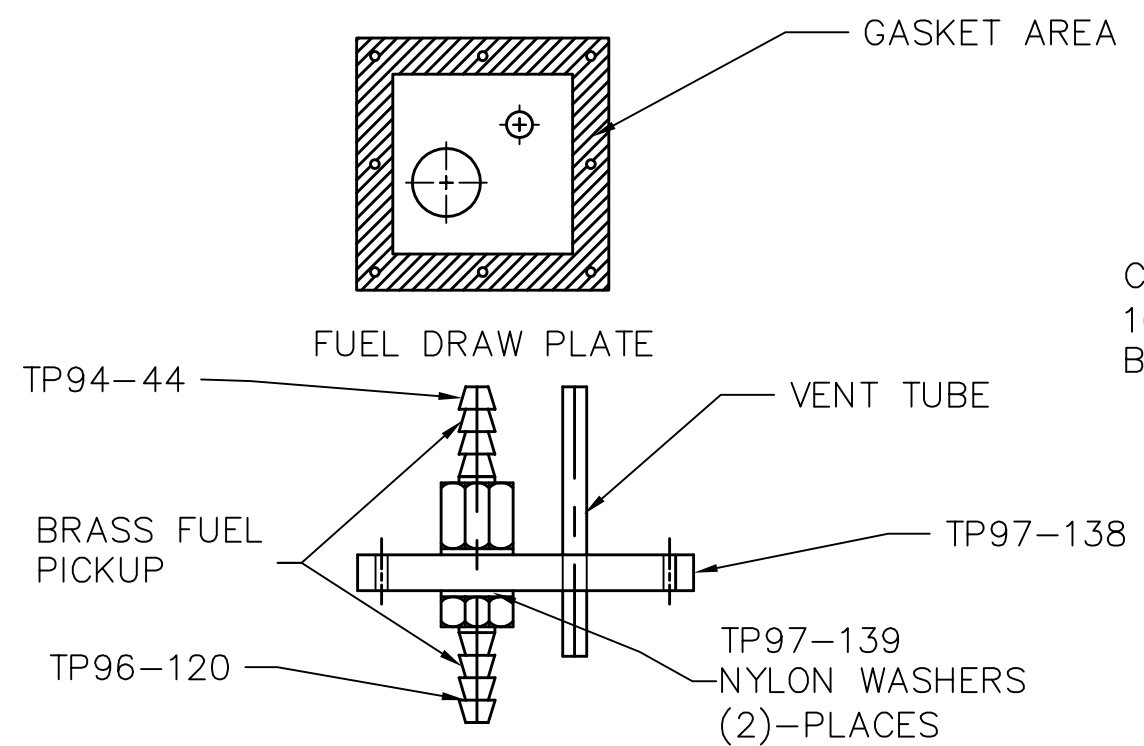
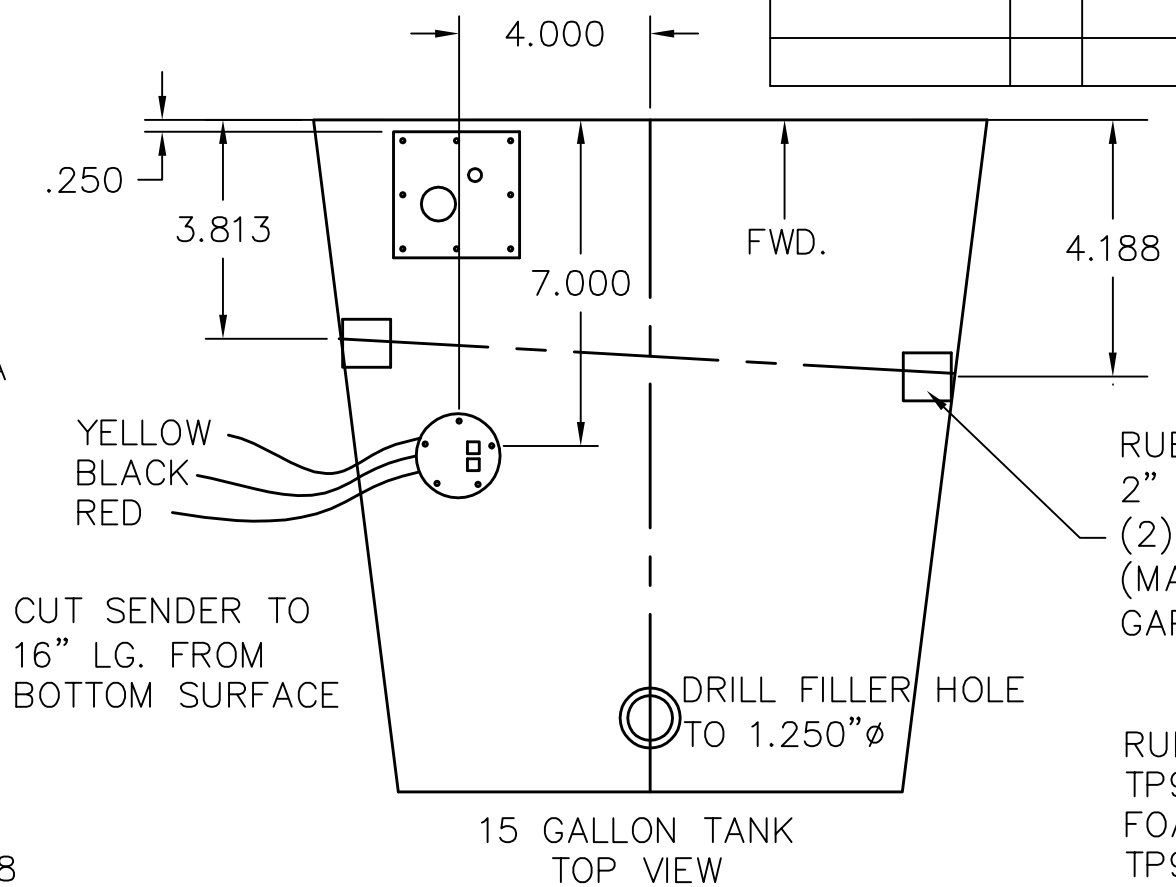


REVISIONS				
E.C. NO.	REV.	DESCRIPTION	BY	DATE
	A	DRAWING RELEASE	KL	8/02



- NOTES:
- DRILL 5/8" DIA. HOLE FOR FUEL SENDER
  - DRILL 1" DIA. HOLE FOR FUEL PICKUP
  - DRILL 3/8" DIA. HOLE FOR FUEL VENT
  - DRILL (8) #39 FOR DRAW PLATE
  - DRILL (5) #30 FOR SENDER MOUNTING

**TITAN AIRCRAFT SUPPLY**  
 1419 STATE ROUTE 45 SOUTH  
 AUSTINBURG, OHIO 44010

DRAWN K. LIPLIN		DATE 8/28/02		DETAIL NAME 15 GALLON FUEL TANK	
CHECKED G. TRUEX		DATE 1/21/03		SCALE N/A	PART NO.
APPROVED J. WILLIAMS		DATE 1/21/03		ASSEMBLY NAME STANDARD S MODEL	
				DRAWING NO. B 02-INS-1379-A	

THIS DOCUMENT PROPRIETARY TO TITAN AIRCRAFT, AND IS NOT TO BE USED, CIRCULATED, REPRODUCED, COPIED, OR DISCLOSED IN ANY MANNER WITHOUT PRIOR WRITTEN PERMISSION OF AN AUTHORIZED OFFICIAL OF TITAN AIRCRAFT.