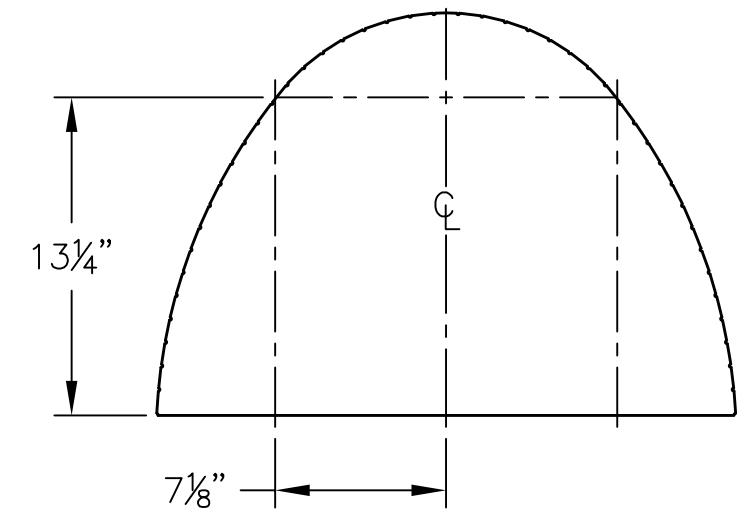
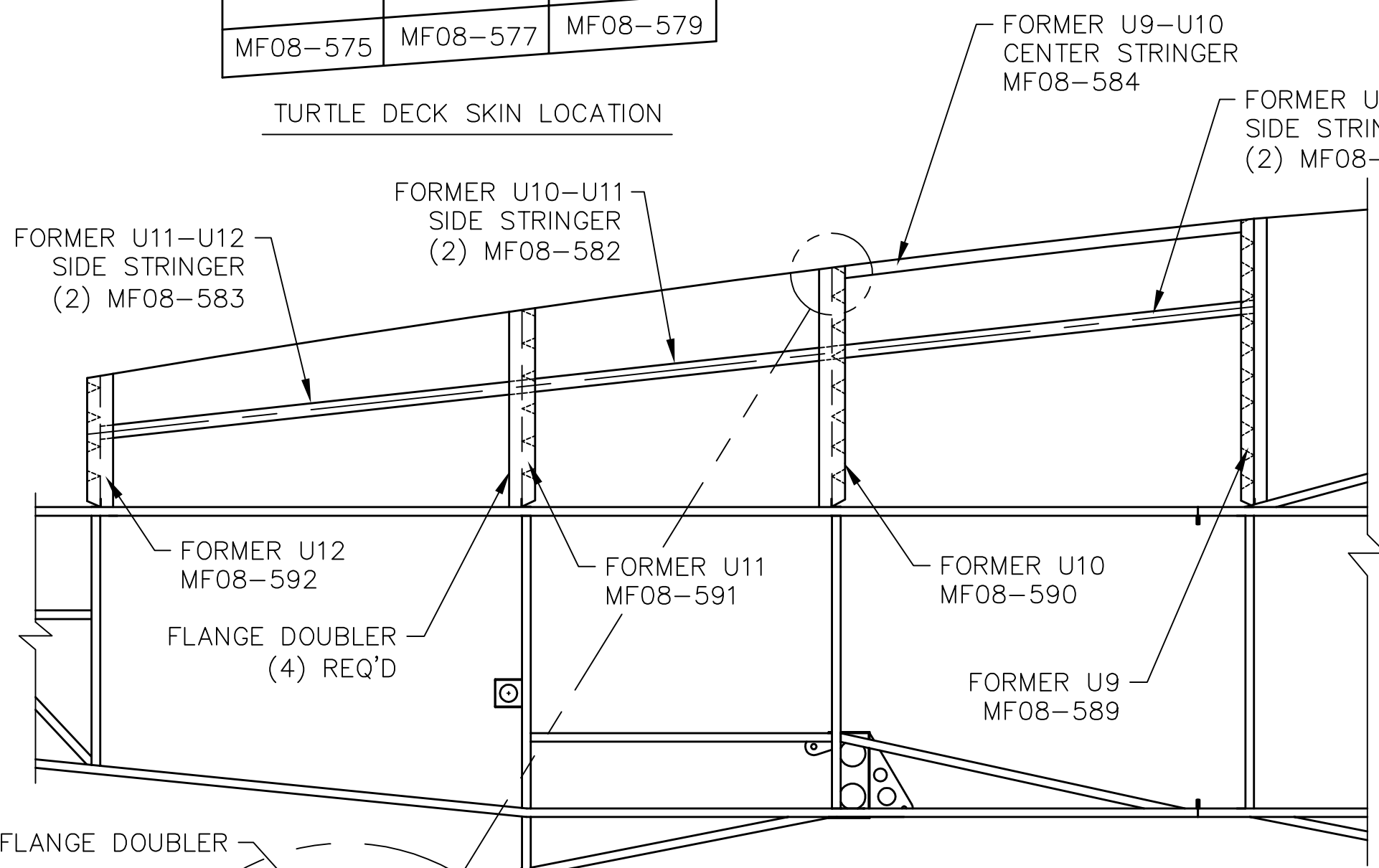


MF08-575	MF08-577	MF08-579
MF08-576	MF08-578	MF08-580
MF08-575	MF08-577	MF08-579

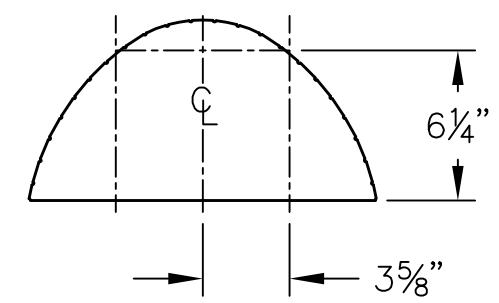
TURTLE DECK SKIN LOCATION

REVISIONS				
E.C. NO.	REV.	DESCRIPTION	BY	DATE
	A	DRAWING RELEASED	SH	1/09

← FWD

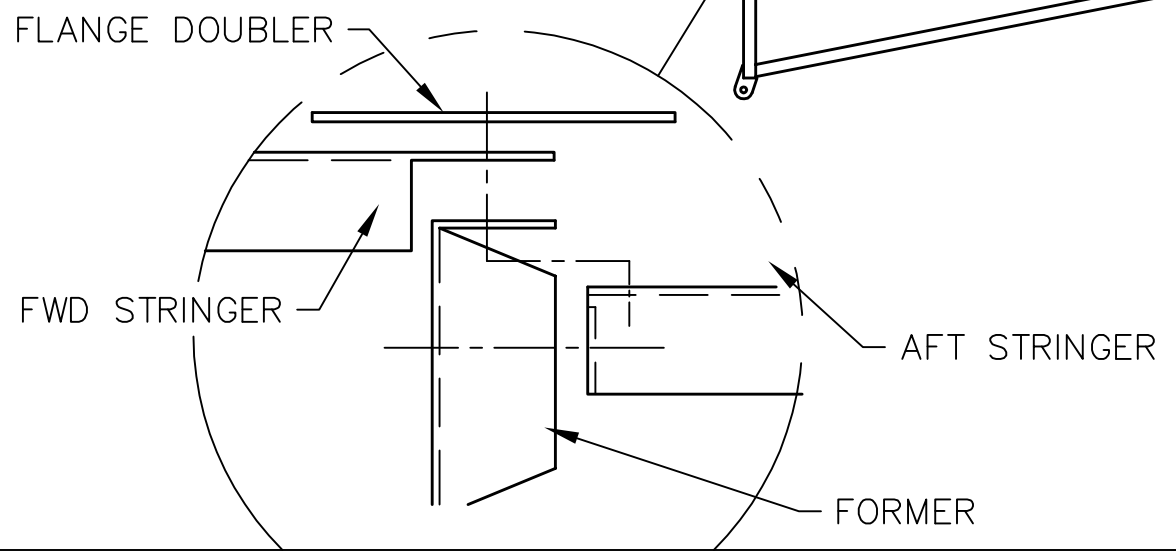


BULKHEAD U9 (MF08-589)



BULKHEAD U12 (MF08-592)

DIMENSIONS TO THE CENTERLINE OF SIDE STRINGERS



**TITAN AIRCRAFT SUPPLY**  
 1419 STATE ROUTE 45 SOUTH  
 AUSTINBURG, OHIO 44010

DETAIL NAME		TURTLE DECK INSTALLATION	
SCALE 1/8"=1"	PART NO.		
ASSEMBLY NAME		B-MODEL	
SHEET NO.	DRAWING NO. 06		
DRAWING NO.	B T51-09-INS-1806-A		

DRAWN	S. HENDERSON	DATE	1/7/09
CHECKED		DATE	
APPROVED		DATE	

THIS DOCUMENT PROPRIETARY TO TITAN AIRCRAFT, AND IS NOT TO BE USED, CIRCULATED, REPRODUCED, COPIED, OR DISCLOSED IN ANY MANNER WITHOUT PRIOR WRITTEN PERMISSION OF AN AUTHORIZED OFFICIAL OF TITAN AIRCRAFT.