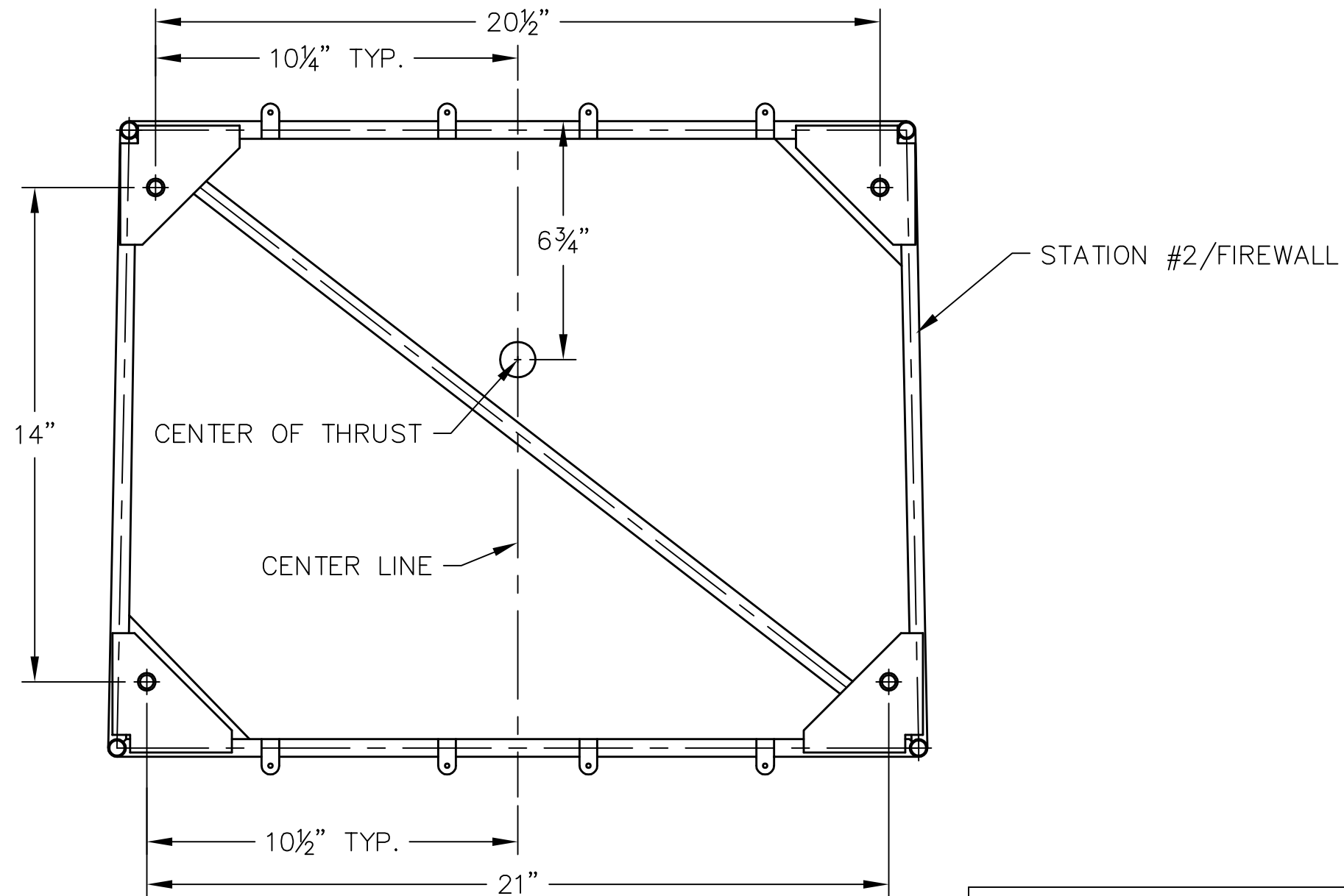


REVISIONS

E.C. NO.	REV.	DESCRIPTION	BY	DATE
	A	DRAWING RELEASED	SH	6/07
0834	B	DIMENSIONS ADDED	SH	1/09



TITAN AIRCRAFT SUPPLY
 1419 STATE ROUTE 45 SOUTH
 AUSTINBURG, OHIO 44010

DETAIL NAME STATION # 2 CENTER OF THRUST TEMPLATE

DRAWN S. HENDERSON	DATE 6/20/07
CHECKED RI	DATE 1/26/09
APPROVED KORY B.	DATE 1/28/09

SCALE 1/4"=1"	PART NO. MJ07-25
ASSEMBLY NAME	
PART NO.	DRAWING NO. S2
DRAWING NO. B T51-07-INS-1637-B	

THIS DOCUMENT PROPRIETARY TO TITAN AIRCRAFT, AND IS NOT TO BE USED, CIRCULATED, REPRODUCED, COPIED, OR DISCLOSED IN ANY MANNER WITHOUT PRIOR WRITTEN PERMISSION OF AN AUTHORIZED OFFICIAL OF TITAN AIRCRAFT.