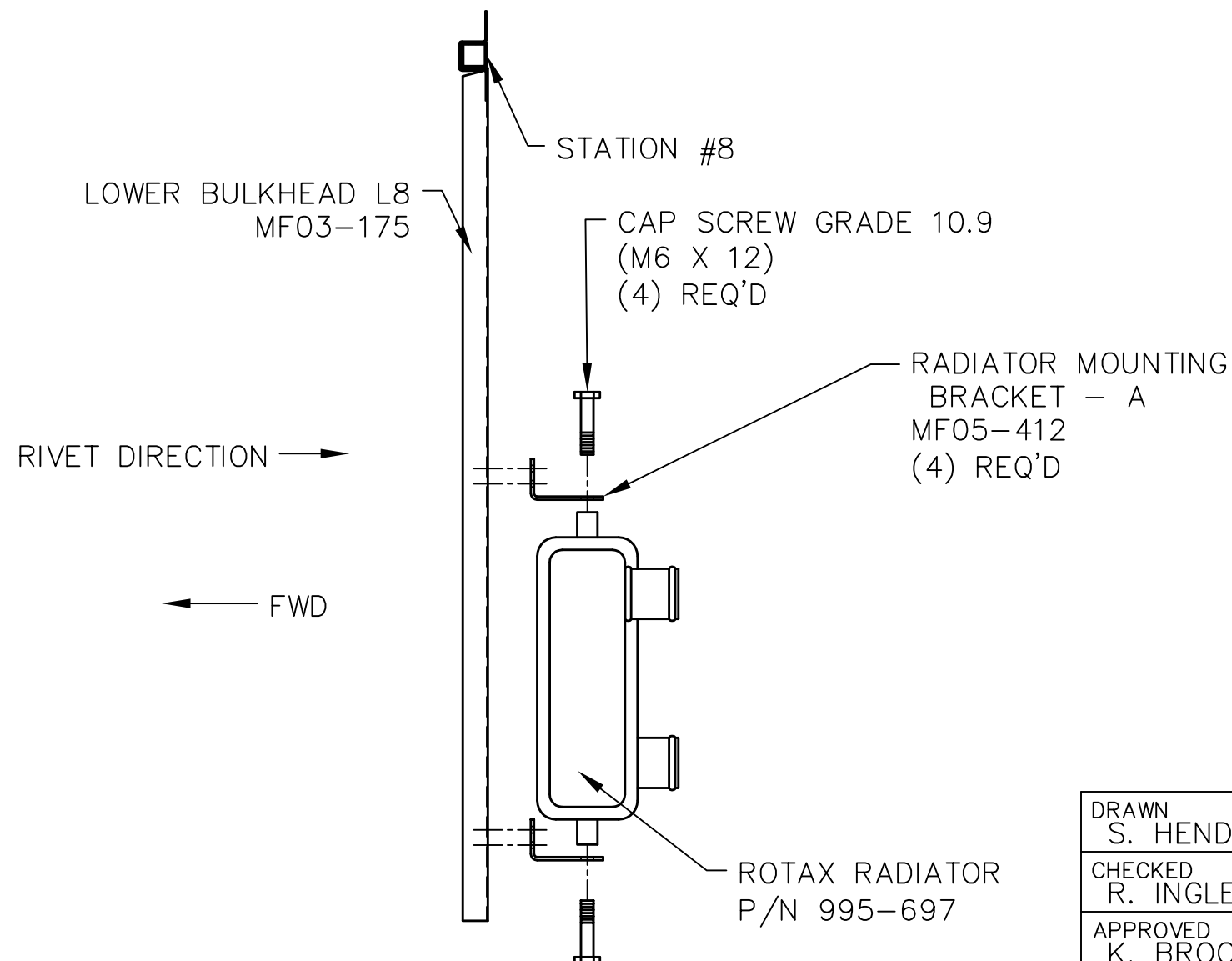
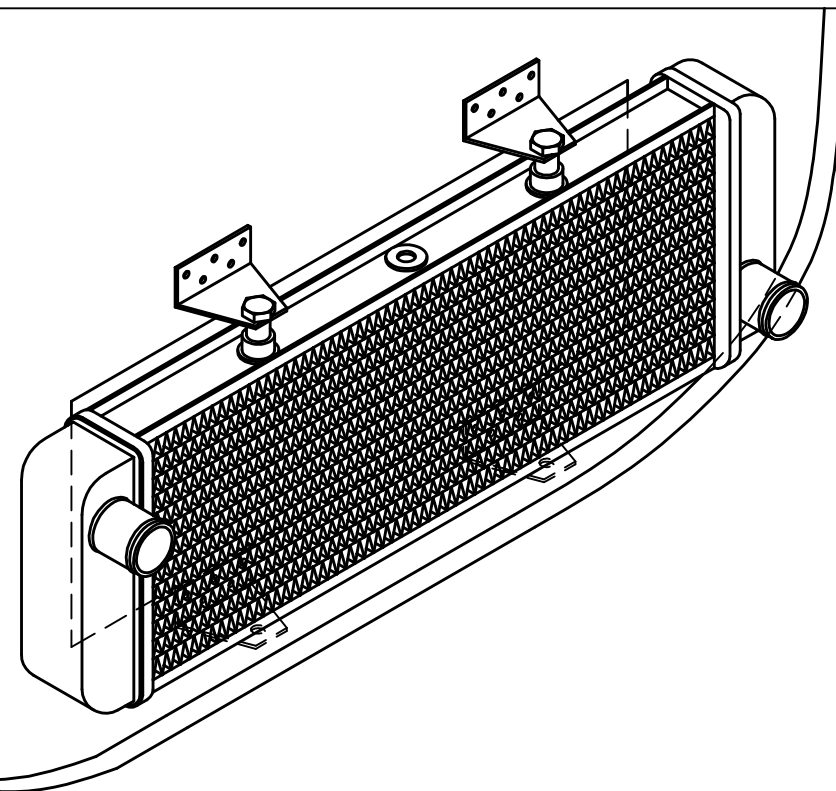


REVISIONS				
E.C. NO.	REV.	DESCRIPTION	BY	DATE
	A	DRAWING RELEASED	SH	7/06
0861	B	PLENUMS REMOVED	SH	1/09

**NOTES:**

- BE SURE TO CUT-OUT THE RECTANGLE MARKED ON L8 (MF03-175) FOR THE RADIATOR.
- PRE-DRILL (5) #30 HOLES INTO EACH RADIATOR MOUNTING BRACKET - A (MF05-412) & ATTACH THEM TO THE RADIATOR USING THE REQUIRED BOLTS. POSITION THE RADIATOR ONTO L8 OVER THE CUTOUT & MARK PREVIOUSLY DRILLED MOUNTING BRACKET (MF05-412) HOLES ONTO L8. WHEN SATISFIED WITH THE LOCATION OF THE RADIATOR, MATCH DRILL HOLES TO MF03-175 & CLECO BRACKETS IN PLACE. (USE SD42BS RIVETS TO ATTACH RADIATOR MOUNTING BRACKETS - A.)
- USE LOCTITE 242 (BLUE) ON (4) M6 X 12 CAP SCREWS.



**TITAN AIRCRAFT SUPPLY**  
 1419 STATE ROUTE 45 SOUTH  
 AUSTINBURG, OHIO 44010

DETAIL NAME		RADIATOR INSTALLATION	
DRAWN	DATE	SCALE	PART NO.
S. HENDERSON	7/12/06	1/4"=1"	
CHECKED	DATE	ASSEMBLY NAME	
R. INGLE	2/5/09	T-51 MUSTANG W/ ROTAX ENGINES	
APPROVED	DATE	PART NO.	DRAWING NO.
K. BROOKS	10/6/09		F41
		DRAWING NO. <b>B T51-06-INS-1485-B</b>	

THIS DOCUMENT PROPRIETARY TO TITAN AIRCRAFT, AND IS NOT TO BE USED, CIRCULATED, REPRODUCED, COPIED, OR DISCLOSED IN ANY MANNER WITHOUT PRIOR WRITTEN PERMISSION OF AN AUTHORIZED OFFICIAL OF TITAN AIRCRAFT.