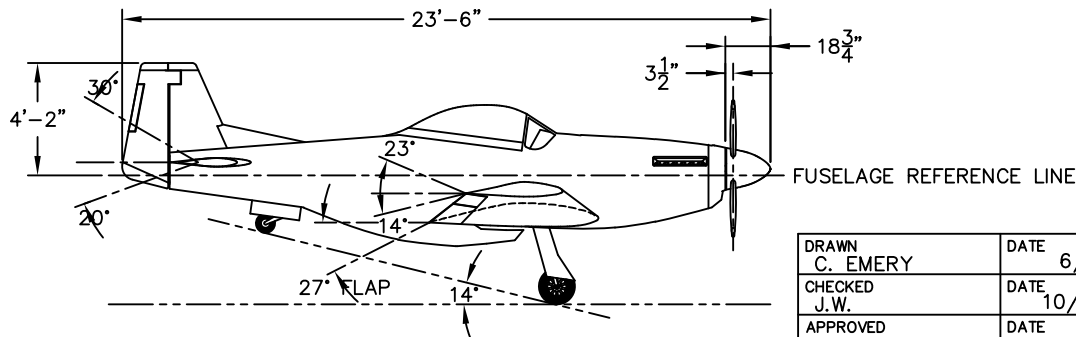
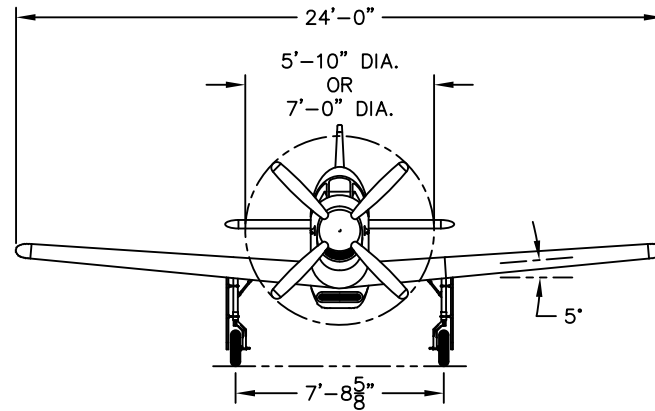
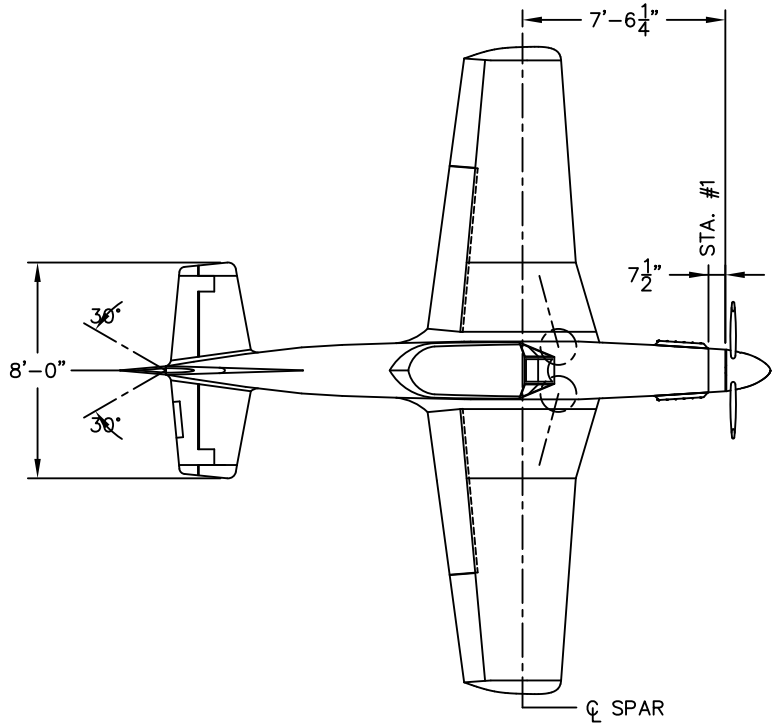



THIS DOCUMENT IS THE PROPERTY OF TITAN AIRCRAFT AND IS NOT TO BE USED, REPRODUCED, COPIED, OR DISCLOSED IN ANY MANNER WITHOUT THE WRITTEN PERMISSION OF AN AUTHORIZED OFFICIAL OF TITAN AIRCRAFT.



REVISIONS				
E.C. NO.	REV.	DESCRIPTION	BY	DATE
	A	DRAWING RELEASED	CE	6/05
1102	B	UPDATED DRAWING	BH	10/10

 TITAN AIRCRAFT SUPPLY 1419 STATE ROUTE 45 SOUTH AUSTINBURG, OHIO 44010			
		DETAIL NAME ORTHOGRAPHIC VIEW	
DRAWN C. EMERY	DATE 6/7/05	SCALE 1/48"=1" PART NO.	
CHECKED J.W.	DATE 10/15/18	ASSEMBLY NAME	
APPROVED	DATE	PART NO.	DRAWING NO. INT. 1
		DRAWING NO. B T51-05-INS-1148-B	