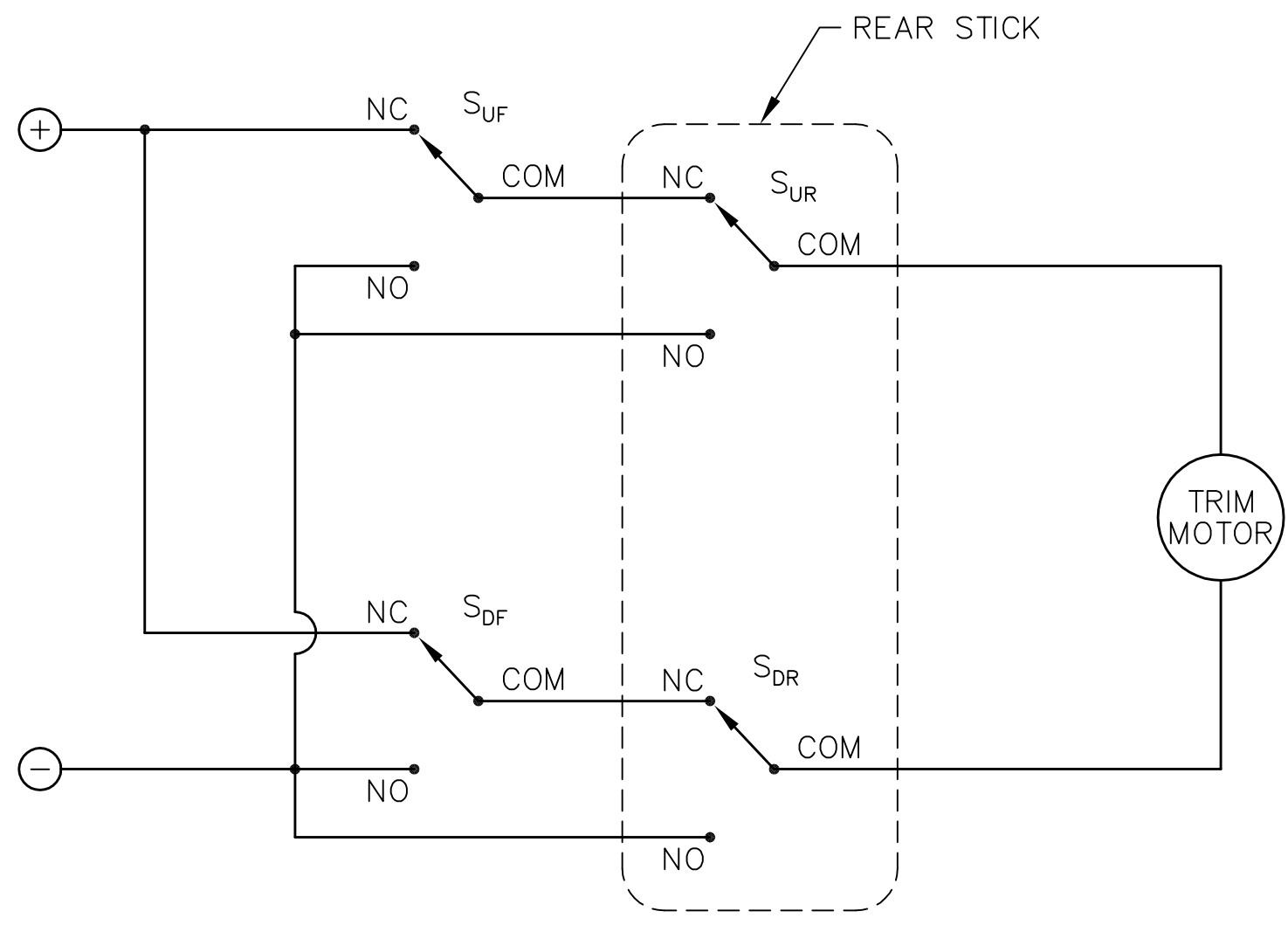
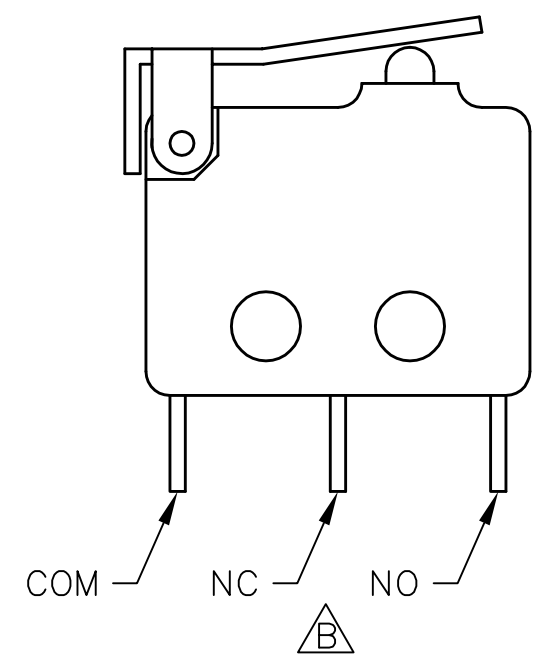


REVISIONS				
E.C. NO.	REV.	DESCRIPTION	BY	DATE
	A	RELEASED DRAWING	CE	2/05
0136	B	CORRECTED SWITCH TERMINALS	CE	3/05



NOTE:
 SWITCH DESIGNATORS
 S_{UF} - HAT SWITCH UP FRONT
 S_{DF} - HAT SWITCH DOWN FRONT
 S_{UR} - HAT SWITCH UP REAR
 S_{DR} - HAT SWITCH DOWN REAR
 NO - NORMALLY OPEN
 NC - NORMALLY CLOSED
 COM - COMMON



THIS DOCUMENT PROPRIETARY TO TITAN AIRCRAFT, AND IS NOT TO BE USED, CIRCULATED, REPRODUCED, COPIED, OR DISCLOSED IN ANY MANNER WITHOUT PRIOR WRITTEN PERMISSION OF AN AUTHORIZED OFFICIAL OF TITAN AIRCRAFT.

TITAN AIRCRAFT SUPPLY
 1419 STATE ROUTE 45 SOUTH
 AUSTINBURG, OHIO 44010

DRAWN C. EMERY		DATE 2/1/05	DETAIL NAME TRIM ADJUSTMENT FRONT/REAR STICKS	
CHECKED		DATE	SCALE N/A	PART NO.
APPROVED		DATE	ASSEMBLY NAME	
			PART NO.	DRAWING NO. E8
			DRAWING NO. B T51-05-INS-1133-B	