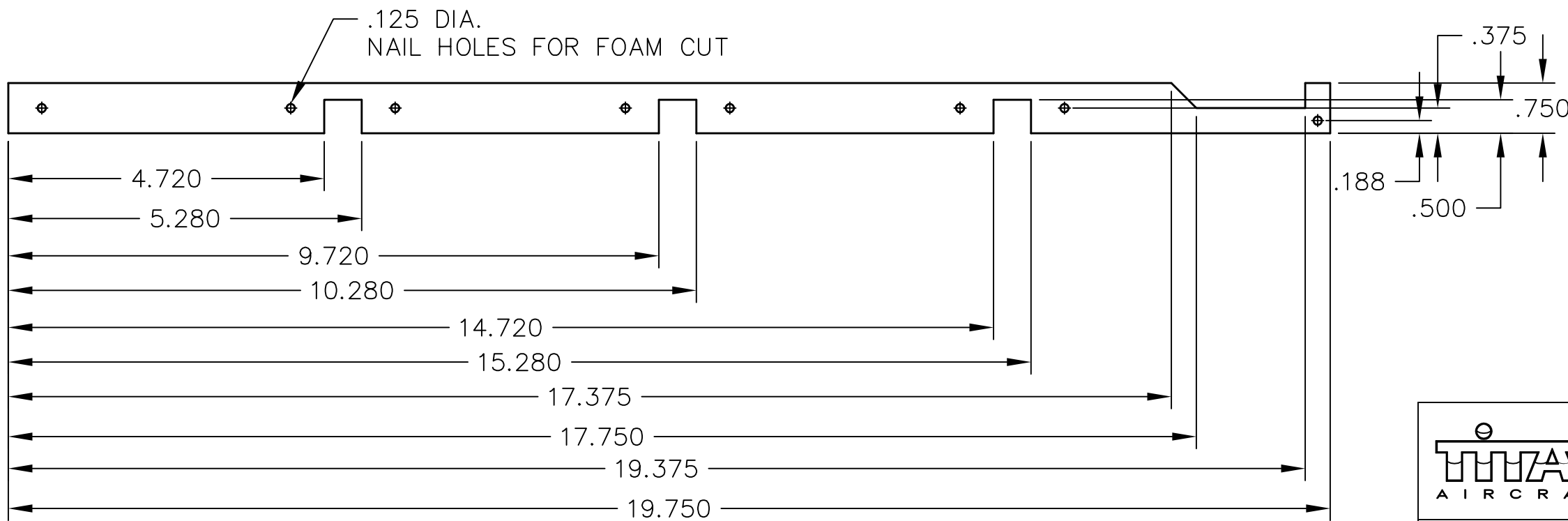
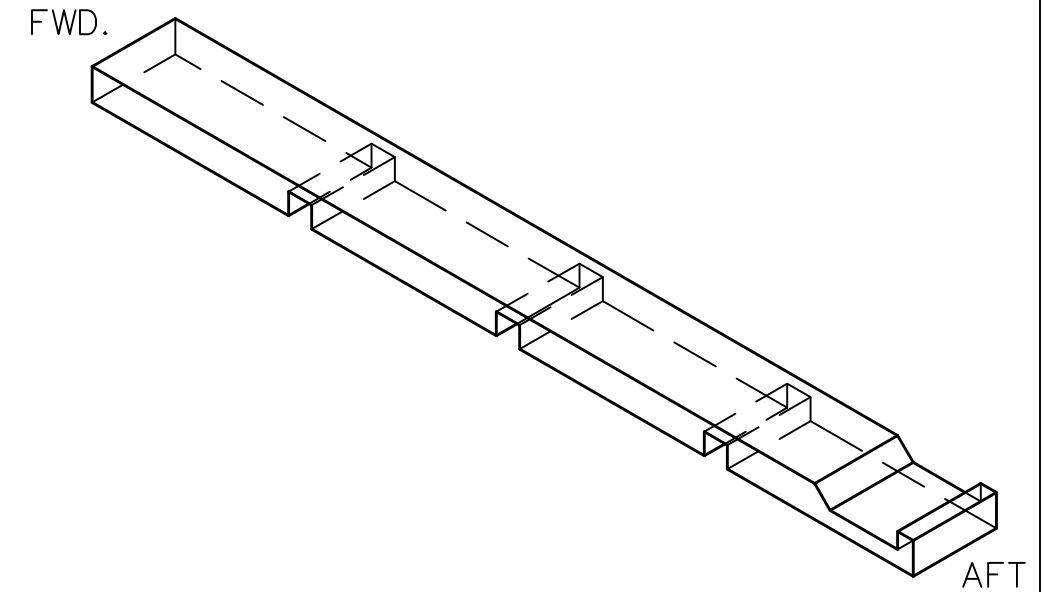
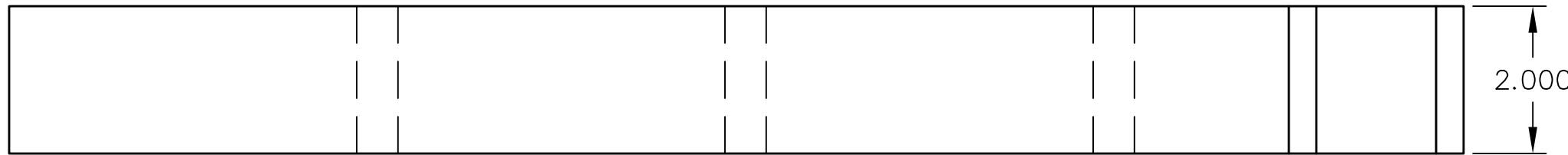


NOTE:
 - THE FOAM CAN BE CUT WITH A HACK SAW OR ALUMINUM
 TEMPLATES CAN BE MADE TO HOT-WIRE CUT THE FOAM.

REVISIONS				
E.C. NO.	REV.	DESCRIPTION	BY	DATE
	A	DRAWING RELEASED	KL	3/03



TITAN AIRCRAFT SUPPLY
 1419 STATE ROUTE 45 SOUTH
 AUSTINBURG, OHIO 44010

DETAIL NAME		FUEL TANK FOAM SADDLE CUT	
SCALE 1"=1"	PART NO. MW03-218		
ASSEMBLY NAME			
PART NO.		DRAWING NO.	
DRAWING NO.		<i>B T51-03-INS-0645-A</i>	

DRAWN K. LIPLIN	DATE 3/6/03
CHECKED MSH	DATE 3/23/04
APPROVED GAT	DATE 3/23/04

THIS DOCUMENT PROPRIETARY TO TITAN AIRCRAFT, AND IS NOT TO BE USED,
 CIRCULATED, REPRODUCED, COPIED, OR DISCLOSED IN ANY MANNER WITHOUT
 PRIOR WRITTEN PERMISSION OF AN AUTHORIZED OFFICIAL OF TITAN AIRCRAFT.